
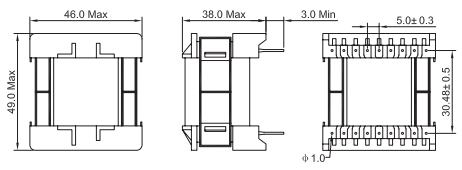
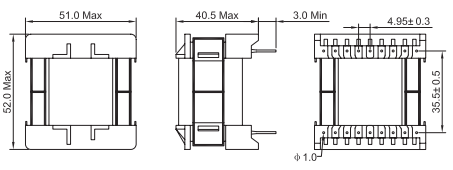


Switching power transformer / 開關電源變壓器

	<p>Core shape: ETD-39 & ETD-44</p> <p>Features:</p> <ul style="list-style-type: none"> •Low-loss/ High saturation magnetic flux density ferrite •Compatible with multiple output switch-mode power supplies •High-power output •A wide range of output •Safety standards approved •RoHS Compliance 	<p>磁芯形狀: ETD-39 & ETD-44</p> <p>特性:</p> <ul style="list-style-type: none"> •採用低損耗高飽和磁通密度鐵氧體磁芯進行設計 •適用於多組輸出的開關電源 •高功率輸出 •輸出範圍寬 •符合安全標準 •符合RoHS標準
<h3>Shape and external dimension / 機械尺寸mm.</h3>		
<div style="display: flex; justify-content: space-around;"> <div data-bbox="279 716 742 929">  <p>Figure 1</p> </div> <div data-bbox="845 716 1300 929">  <p>Figure 2</p> </div> </div>		

Electronical characteristics / 電氣特性

Core shape 磁芯形狀	ETD-39/40/13	ETD-44/45/15
Center leg area 磁芯中柱面積 A_e mm ²	125	173
Length of magnetic circuit 磁路長度 L_e mm	92.1	103
Volume 體積 V_e mm ³	11510	17720
Bobbin type 線架類型	Horizontal/臥式	Horizontal/臥式
External dimension 外觀尺寸 W*D*H mm	46*49*38	51*52*40.5
Maximum output 最大輸出功率 VA	380	520
Drawing No. 圖紙號	Figure 1	Figure 2

Note: The design bases on: 1.Forward model 2.PC40 series ferrite 3.Switching frequency: 100 KHz
 注意: 本設計基于 1.正激式變換器 2.PC40系列鐵氧體 3.開關頻率:100 KHz